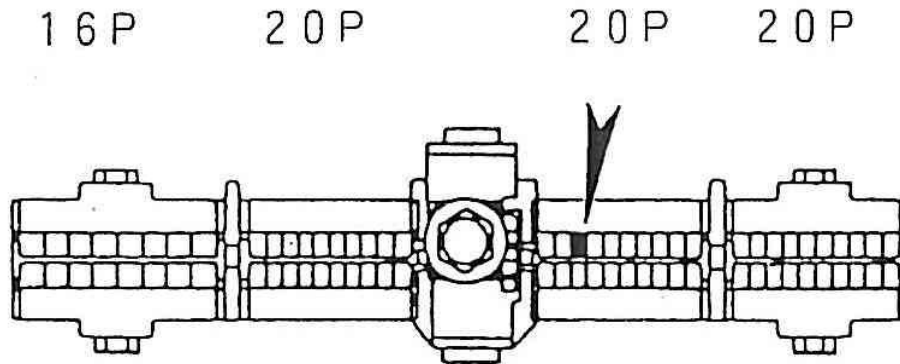


Knock Monitor Connection for Nissan V6



Identify the knock sensor signal wire from the above diagram and connect the white wire from the supplied harness to it. A splice connector is supplied for use if desired.

Car	Model Number	Engine Code	Year
Cima	FPY 32	VG30DET	1993 on
	FPY 31	VG30DE/T	1989 - 91
300ZX	Z 32	VG30DE/TT	1989 on
Leopard	YJ 32	VG30DE	1992 on
Cedric	Y 32	VG30DE/T	1991 - 93
Gloria	Y 31	VG30DE/T	1989 - 91