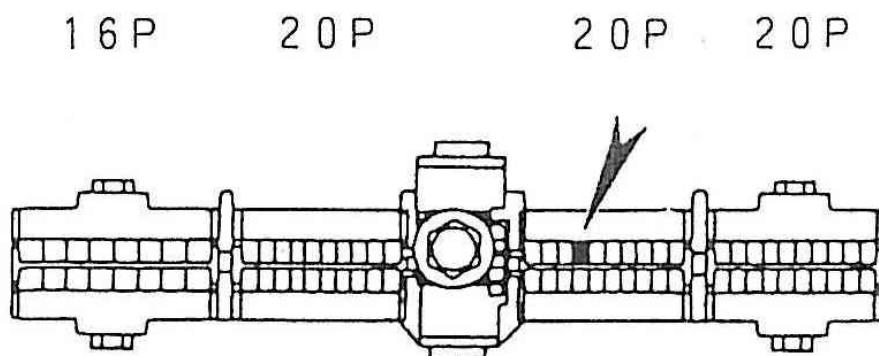


## Knock Monitor Connection for Nissan Inline 6



Identify the knock sensor signal wire from the above diagram and connect the white wire from the supplied harness to it. A splice connector is supplied for use if desired.

Car	Model Number	Engine Code	Year
Skyline	GT-R (BCNR33)	RB26DETT	1995 on
	GTS25t (ECR33)	RB25DET	1993 on
	GTS25, GTS-4 (ER33)	RB25DE	1993 on
	GT-R (BNR32)	RB26DETT	1989 - 95
	GTS25 (ECR32)	RB25DE	1991 - 93
Cefiro	A31	RB25DE	1992 - 94
Laurel	C34	RB25DE/T	1993 on
	C33	RB25DE	1991 - 93